

PROJECT	QUANTITY	ITEM NO
---------	----------	---------

Hand Breader/sifter

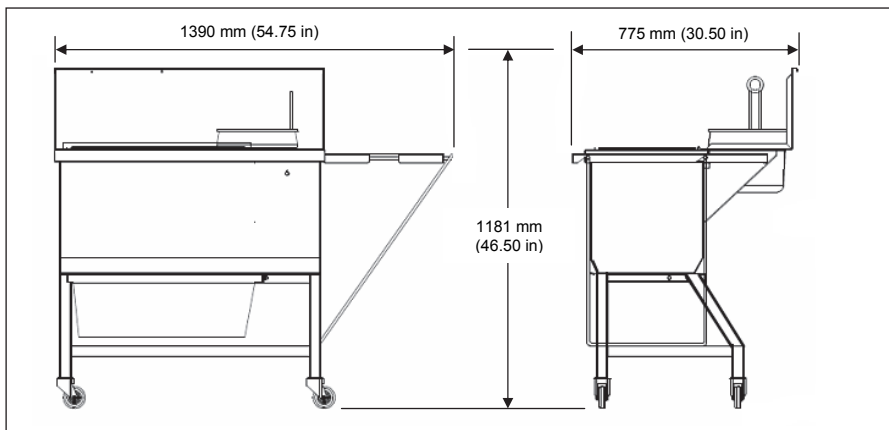
HB 11



HB 11 hand breader/sifter

Hand breading is popular because it offers the greatest control of coverage and density. Henny Penny hand breaders are designed to make that task fast and convenient.

The HB 11 is a self-contained, portable station that lets crew quickly dip, bread, sift and stack food by hand from a minimum of floor space. This sturdy, portable station will give your freshly breaded products a consistent look, taste and texture, while saving labor and reducing breading and product waste.



Dimensions

Height	1181 mm	(46.50 in)
Width	1390 mm	(54.75 in)
Depth	775 mm	(30.50 in)

Crated

Length	950 mm	(37 in)
Depth	640 mm	(25 in)
Height	1300 mm	(51 in)
Volume	0.78 m ³	(27 ft ³)
Weight	82 kg	(180 lb)

Work flow configuration

Please specify:

- Left to right work flow (dip pot on left)
- Right to left work flow (dip pot on right)

Product capacity: 11.4 kg (25 lb)

Electrical

Volts	Phase	Hertz	kW	Amps	Wire
240	1	50	0.79	1.5	2+G

Standard Features

- High quality stainless steel frame and sifting basket
- Fully enclosed 0.25 hp motor and drive assembly generates special “eccentric” sifting action
- Breading lugs hold 25 lb (11.4 kg) of breading
- 2 interchangeable lugs—1 for breading, 1 to catch sifted breading
- Angled frames extend legs for greater stability
- Removable splash guard
- 4 heavy-duty locking casters
- Quick disassembly for easy cleaning
- Choose right or left-hand workflow

Continuing product improvement may subject specifications to change without notice.

<input type="checkbox"/> APPROVED	<input type="checkbox"/> APPROVED AS NOTED	<input type="checkbox"/> RESUBMIT
AUTHORIZED SIGNATURE		DATE

Henny Penny Suzhou Corporation
 No. 9 Hengpu Lane, Qingqiu Avenue
 SIP, Suzhou, China (215126)

+86 512 89180268
 +86 512 89180270 Fax

www.hennypenny.com

